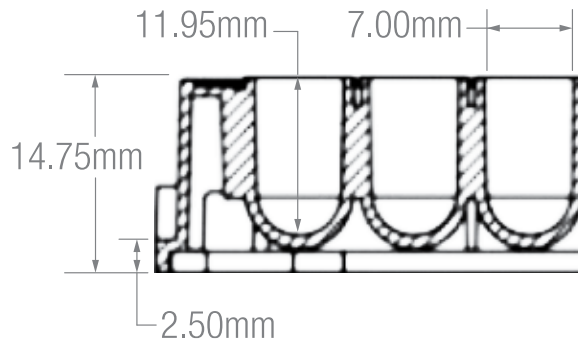




TECHNICAL DATA SHEET



DP04UR-9-N

DP04UR-9-NS

GENERAL SPECIFICATIONS

AUTOCLAVABLE:	121C at 15 psi, 15 min.	Pre-sterilized
NUMBER OF WELLS:	96	
WELL TOP SHAPE:	Round	
WELL BOTTOM SHAPE:	Round - U	
NOTCH LOCATION:	A1, H1	
FOOTPRINT:	ANSI/SLAS 1-2004	
MATERIAL:	USP Class VI Polypropylene	
COLOR:	Natural	
TEMPERATURE RANGE:	-80°C to 120°C	
CENTIFUGATION (MAX.):	4,000 x g	
AUTOMATION COMPATIBLE:	Yes	

CRITICAL DIMENSIONS

PLATE HEIGHT:	14.75mm
PLATE BOTTOM (L x W):	127.00mm x 85.00mm
PLATE TOP (L x W):	122.9mm x 81.1mm
FLANGE HEIGHT:	2.5mm
WELL A1 (X,Y):	14.38mm, 11.24mm
WELL DEPTH:	10.9mm
WELL DIA. (TOP):	6.96mm
WELL DIA. (BOT):	6.58mm
WELL BOTTOM TO DECK:	2.85mm
OVERALL VOLUME:	365ul
WORKING VOLUME:	335ul
VOLUME WITH MAT:	200ul

PACKAGING CONFIGURATIONS

PACKAGING QUANTITY (CS):	100; 10 per Pack
CASE DIMENSIONS (IN.):	17.75 x 10.75 x 6
CASE WEIGHT (LBS.):	9.5

STORAGE

Keep out of sunlight. Store in a cool dry place. Keep away from sources of ozone or ignition.



COMPATIBLE SEALING MAT OPTIONS

ITEM NUMBER:	DESCRIPTION:
DPMATR-750-PRT	Silicone 96 well, 7.0mm dia Round Printed
SLT-RD-750-PRT	Pre-slit Silicone 96, 7.0mm Round Printed

All plates can be sealed with adhesive or heat seal films.